

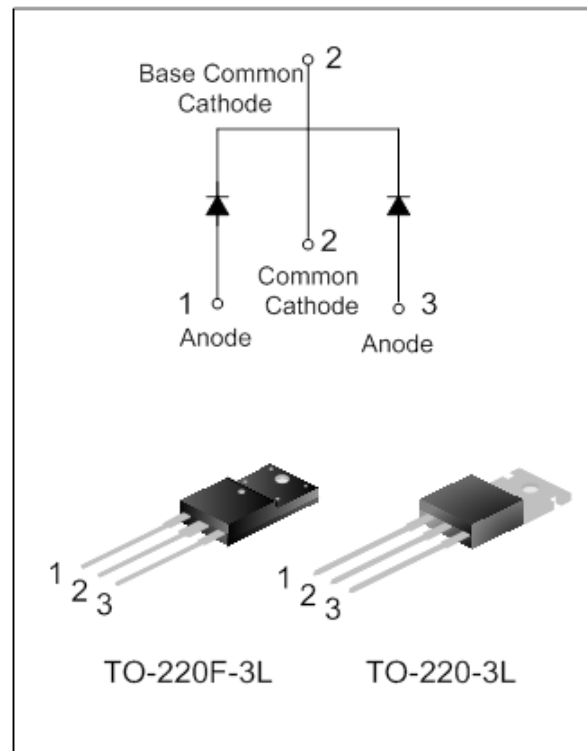
15A, 50V Schottky Rectifier

General Description

GGBD20C100T/F is a schottky rectifier fabricated in a silicon epitaxial planar technology. Typical applications are switching power supplies and protection circuits, etc.

Features

- Guard ring for Stress Protection
- High Surge Capacity
- Low power loss , high efficiency
- Low forward voltage drop



Ordering Information

Part No.	Package	Marking	Material	Packing
GGBD20C100T	TO-220-3L	GGBD20C100T	Pb free	Tube
GGBD20C100F	TO-220F-3L	GGBD20C100F	Pb free	Tube

Absolute Maximum Ratings (T_c=25°C Unless Otherwise Noted)

Characteristics	Symbol	Value	Unit
Maximum Repetitive Peak Reverse Voltage	V _{RRM}	100	V
Average Forward Rectified Current	I _{FAV}	20	A
Peak Forward Surge Current@8.3ms	I _{FSM}	150	A
Operation Junction Temperature	T _J	150	°C
Storage Temperature Range	T _{STG}	-40~150	°C

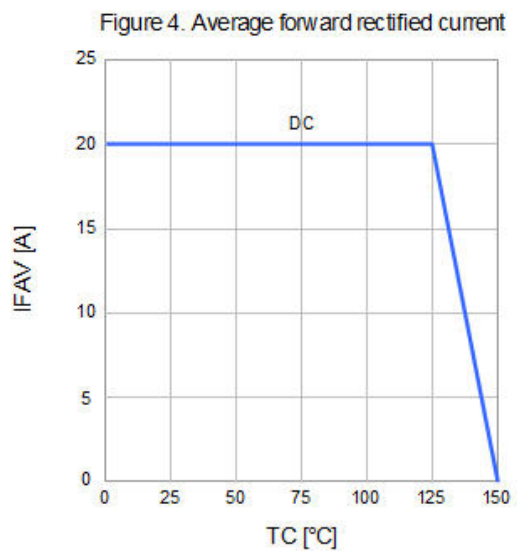
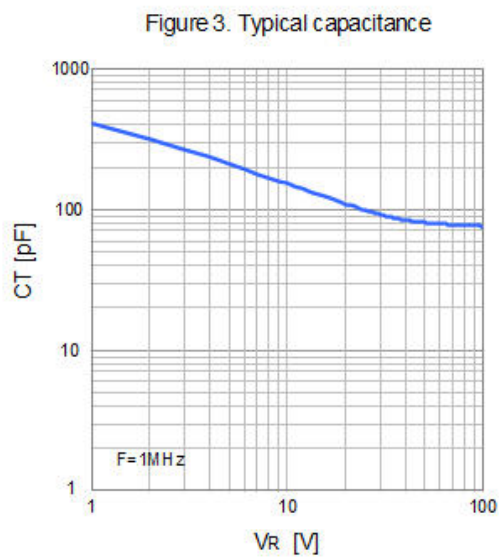
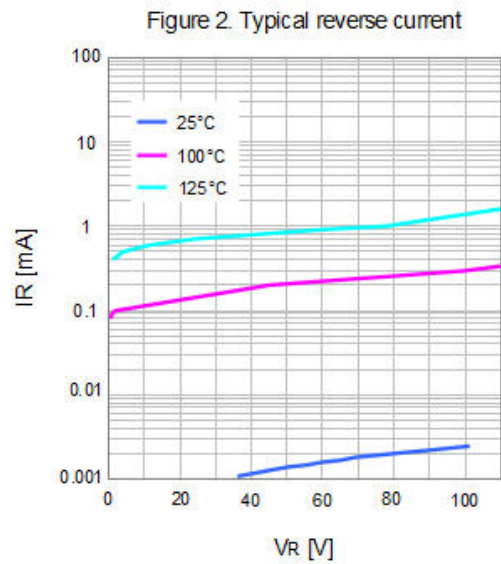
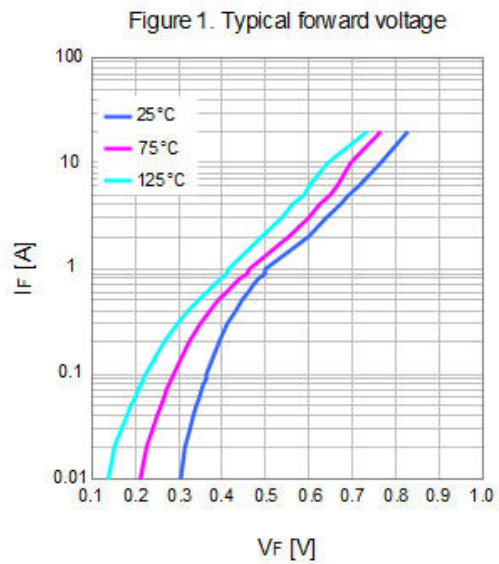
Thermal Characteristics

Characteristics	Symbol	Value	Unit
Thermal Resistance, Junction-to-Case	R _{θJC}	2.0	°C/W

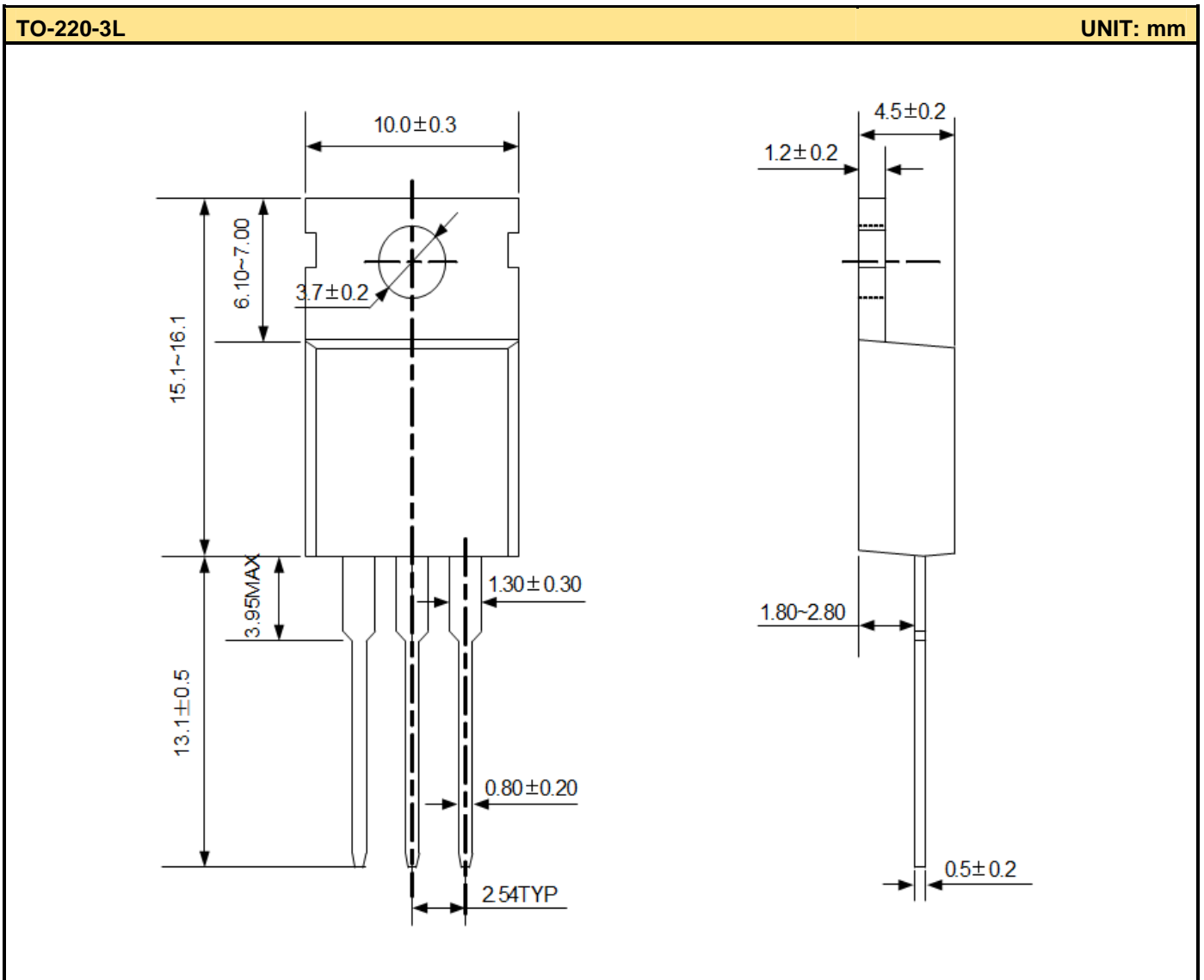
Electrical Characteristics

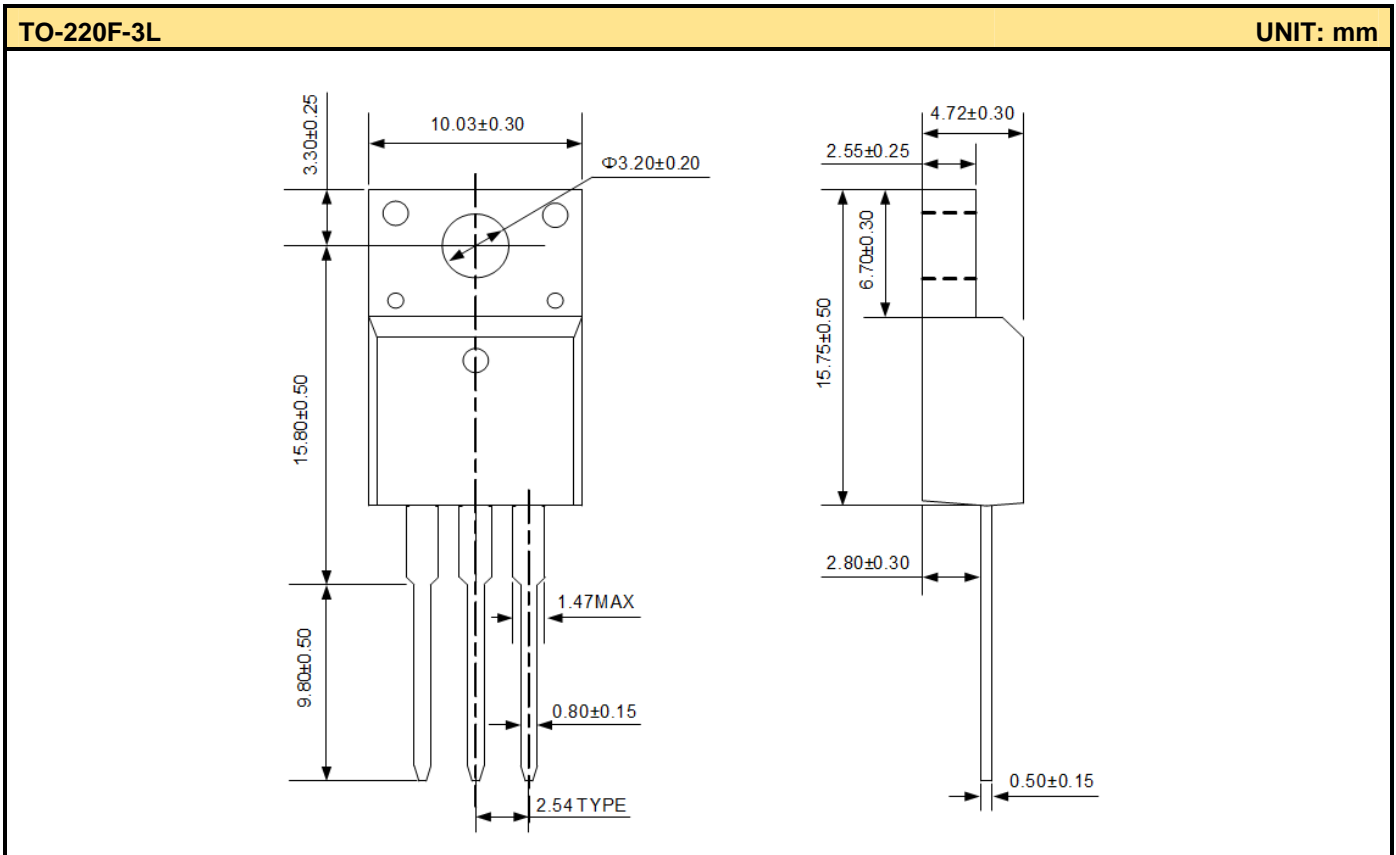
Characteristics	Symbol	Test conditions	Min.	Max.	Unit
Forward Voltage	V _F	I _F =10A (T _C =25°C)	--	0.85	V
		I _F =10A(T _C =125°C)	--	0.75	V
Reverse Current	I _R	V _R =100V(T _C =25°C)	--	50	μA
		V _R =100V(T _C =125°C)	--	25	mA

Typical Characteristics



Package Outline





Disclaimer:

The information furnished in this data sheet is believed to be accurate and reliable. However, no responsibility is assumed by Golden Gate Integrated Circuits (GGIC) for its use. GGIC reserves the right to change circuitry and specifications at any time without notification to the customer.

- Golden Gate Integrated Circuits reserves the right to make changes to the information herein for the improvement of the design and performance without further notice! Customers should obtain the latest relevant information before placing orders and should verify that such information is complete and current.
- All semiconductor products malfunction or fail with some probability under special conditions. When using Golden Gate Integrated Circuits products in system design or complete machine manufacturing, it is the responsibility of the buyer to comply with the safety standards strictly and take essential measures to avoid situations in which a malfunction or failure of such Golden Gate Integrated Circuits products could cause loss of body injury or damage to property.
- Golden Gate Integrated Circuits (GGIC) Products are not designed or authorized for use as components in life support appliances, devices or systems where malfunction of a product can reasonably be expected to result in personal injury. Life support devices or systems are devices or systems that (a) are intended for surgical implant into the body or (b) support or sustain life, and whose failure to perform can be reasonably expected to result in a significant injury to the user. A Purchaser's use or sale of GGIC Products for use in life support appliances, devices, or systems is a Purchaser's own risk and Purchaser agrees to fully indemnify GGIC for any damages resulting from such use or sale.